

FLUID HANDLING

Panel Unit

A permanently mounted, continuous-duty system for critical applications or difficult to access equipment. It also can serve as a maintenance station.



Overview

The Panel Unit:

Where It's Used

- Decontaminating systems
- Cooling systems
- Collecting oil samples for analysis

What Is Standard?

- Automatic pressure relief valve
- Dual-stage filtration
- Durable frame with drip pan for direct mounting
- Industrial powder-coated paint
- One-year warranty

What Can I Customize?

- Flow rates
- Filter bypass
- Sample valves
- Oil cooler
- Temperature gauge
- Color
- Hose-end connection sizes and types
- Micron rating of filters

Call Des-Case for the Following Needs:

- Explosion-proof
- Particle counters
- Hydraulic plumbing hoses
- Viton® gaskets
- High viscosity push button sample valves

Performance

For filtering mineral-based industrial oils and most synthetic oils with a maximum operating viscosity range of ISO VG 680 (3000ssu/648cSt) at 100°F/38°C within ambient temperature ranges of -15°F to 150°F (-26°C to 66°C)

Materials:

- Frame: Carbon steel
- Paint: Industrial powder coat
- Filter Heads: Aluminum
- Fittings: Zinc-plated steel and/or brass
- Pumps: Aluminum/steel
- Plumbing Hoses: Clear PVC with steel wire
- Gaskets: Buna-N

Filter Indicators:

- Filter indicator pops at 22psid (1.55bar) as warning that filter elements need to be replaced

Pump Relief:

- Opens at 65psi (5.49bar)

Weight:

- Approximately 100-130lbs (will vary depending on options selected)

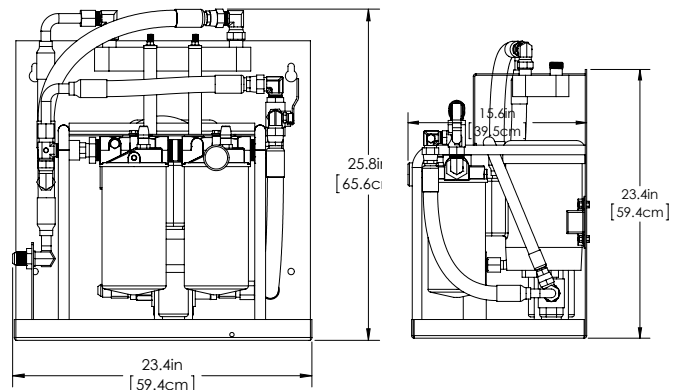
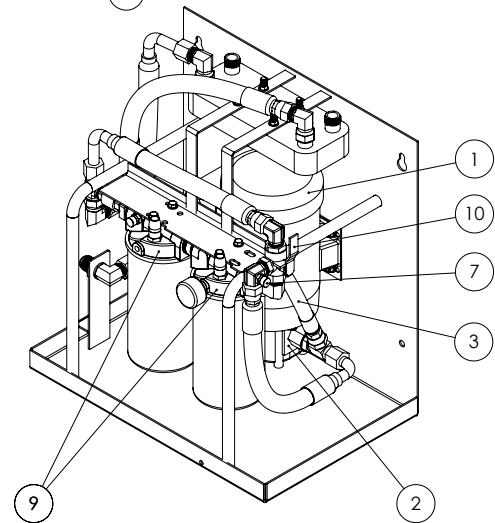
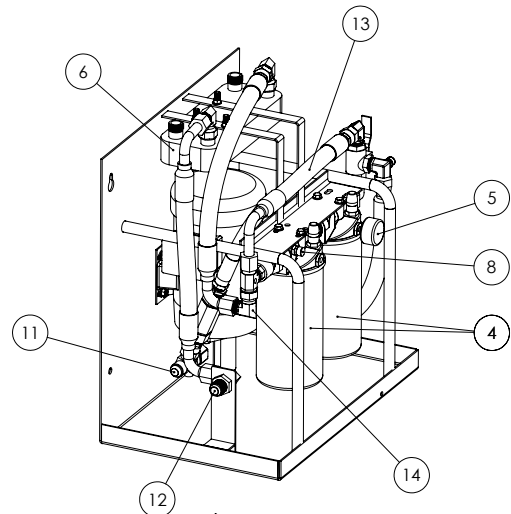
Dimensions:

- 15.6"L x 23.4"W x 25.8"H

Specifications

By the Numbers

Item No.	Description	Qty.
1	Motor	1
2	Gear Pump	1
3	Pump Relief-65psi	1
4	Filter Element	2
5	Pressure Gauge	1
6	Heat Exchanger	1
7	Pre-Filter Sample Valve	1
8	Post-Filter Sample Valve	1
9	Filter Head	2
10	Manual Filter Bypass Valve	1
11	¾" JIC Inlet Port	1
12	¾" JIC Outlet Port	1
13	Filter Bypass	1
14	Outlet Port location if no heat exchanger	1



To Order:

Panel Unit

P								
	Box 1	Box 2	Box 3	Box 4	Box 5	Box 6	Box 7	Box 8

Pump/Motor Combinations [Box 1]

60Hz Options		50Hz Options	
Code	Description	Code	Description
02E	2gpm/1 hp electric, 115 vac, 60 Hz, 1725 rpms, 13 amps	02G	1.5gpm/1 hp electric, 110 vac, 50 Hz, 1425 rpms, 12.4 amps
05E	5gpm/1 hp electric, 115 vac, 60 Hz, 1725 rpms, 13 amps	05G	4gpm/1 hp electric, 110 vac, 50 Hz, 1425 rpms, 12.4 amps
10E	10gpm/1 hp electric, 115 vac, 60 Hz, 1725 rpms, 13 amps	10G	8gpm/1 hp electric, 110 vac, 50 Hz, 1425 rpms, 12.4 amps
02F	2gpm/1 hp electric, 230 vac, 60 Hz, 1725 rpms, 6.5 amps	02H	1.5gpm/1 hp electric, 220 vac, 50 Hz, 1425 rpms, 6.2 amps
05F	5gpm/1 hp electric, 230 vac, 60 Hz, 1725 rpms, 6.5 amps	05H	4gpm/1 hp electric, 220 vac, 50 Hz, 1425 rpms, 6.2 amps
10F	10gpm/1 hp electric, 230 vac, 60 Hz, 1725 rpms, 6.5 amps	10H	8gpm/1 hp electric, 220 vac, 50 Hz, 1425 rpms, 6.2 amps
Pneumatic Options		Pneumatic Options	
02A	2gpm/1 hp air, 0-3000 rpms	08A	8gpm/1 hp air, 0-3000 rpms

NOTE: Performance will vary depending on operating temperature, fluid type, and unit options. Call Des-Case for assistance in choosing a flow rate specific to your needs. 65psi pressure relief valve included.

Filter A [Box 2]/ Filter B [Box 3]

Code	Description
A	5-micron Particulate Filter
B	7-micron Particulate Filter
C	12-micron Particulate Filter
D	22-micron Particulate Filter
J	Water Filter

Sample Valves [Box 4]

Code	Description
0	None
1	Standard Minimes
2	High Viscosity

Oil Cooler [Box 5]

Code	Description
0	None
C	Oil Cooler

NOTE: Not available for pneumatic motor systems

Temperature Gauge [Box 6] Manual Filter Bypass [Box 7]

Code	Description	Code	Description
0	None	0	None
T	Temperature Gauge	B	Filter Bypass

Custom Colors [Box 8]

Code	Description
1	Brushed Aluminum
2	Black
3	White
4	Blue
5	Red
6	Yellow

For replacement elements, see reverse side.

To Order: Panel Unit

Replace Your Elements

Part No.	Micron Rating
DC-S10000S08BBU	Beta 1000 @ 5um
DC-S10000S08CBU	Beta 1000 @ 7um
DC-S10000S08EBU	Beta 1000 @ 12um
DC-S10000S08FBU	Beta 1000 @ 22um
DC-S10000W08FBU	Water Removal

NOTE: Other micron sizes available upon request

You also can customize your system online at www.descase.com.