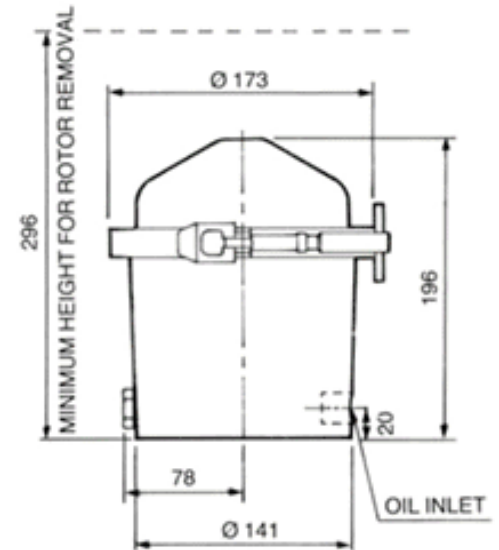
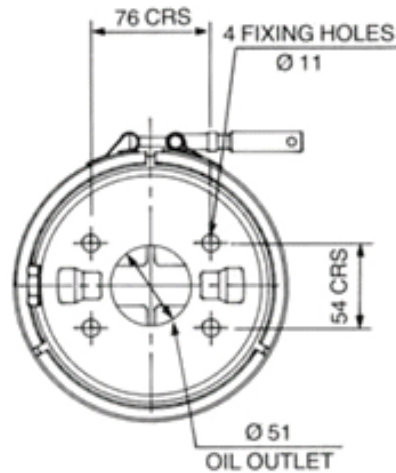


# FM060 Centrifuge

## Technical Data



### STANDARD MODEL

TYPE	PART NO.	OIL INLET THREAD	C.O.V. RATING BAR
060-31	01208A	3/8" B.S.P	1.3
060-32	01608A	3/4" UNF	1.3
060-33	01210A	M16x1.5	1.3
060-34	01211A	3/8" B.S.P	-

- Lubrication system capacity 15 -90ℓ
- Rotor dirt capacity 0.6ℓ
- Rotor oil capacity 0.75ℓ
- Internal oil feed diameter(m.in.) 9.5mm
- Internal oil drain diameter(m.in.) 38mm
- Available with or without cut off valve(C.O.V.)
- This model is only available with a disposal rotor
- The net weight of the FM060 is 3kg

### PERFORMANCE CURVES

